

# Four-Function Tattletale® Annunciator - EN204 Series



## Features

- Designed for Use with Electric Switchgag Instrument or Normally Open, Close to Negative Contacts
- LED Annunciation for Low Oil Pressure, High Water Temperature, Loss of Battery Voltage, and Low Fuel Level or Glow Plug.
- Output May be Used for Tripping an Electromagnetic Control Switch for Engine Shutdown
- Developed with the Same Leading Edge Technology as our EGS Series Electric Switchgag.

## Electric Switchgag Instrument

The **EN204 Series Tattletale Annunciator** works with other engine components to clearly indicate critical engine operating conditions. The four bright LEDs on the face of the annunciator indicate the cause of an alarm or shutdown condition.

Two EN204 models are available. Each shows the standard critical engine operating parameters—oil pressure, coolant temperature, and battery voltage. Model EN204-S-12 also includes an indicator for low fuel level. Model EN204-SG-12 substitutes the fuel level indicator with a glow plug indicator for those engines that use a glow plug for easier starting.

The EN204 Annunciators are used in conjunction with Murphy Electric Switchgag instrument or other normally open switches that close to ground when a fault condition occurs. As an example, in a system with a Murphy EGS21P-100 Oil Pressure Switchgag instrument, the Switchgag closes to ground when the oil pressure drops below a pre-determined set point. This will energize the Oil Pressure LED on the EN204 to highlight a low oil pressure failure.

A very important feature of the EN204 is the ability to interface with Murphy 518PH or the 760A Electromagnetic Switches to perform automatic engine shutdown when fault conditions occur. The EN204 can also be used with other Murphy visual and audible alarms (STAS series remote alarm, SAH audible alarm, and the TL7 visual alarm) for remote annunciation and equipment shutdown.

## Specifications

### Operating Voltage:

12 VDC (10 V min. - 16 V max.).

**Current:** 0.020 A to 0.025 A per LED.

**Output:** Sink 0.275 A.

### Output Saturation Voltage:

.7-1.1 V @ 25°C.

### Case and Screw-on Mounting Clamp:

Polyester (PBT).

**Bezel:** Bright stainless steel.

**Lens:** Clear Polycarbonate, UV stabilized.

**Dial:** Black background and white markings with four (4) Red LED indicators.

**Wiring:** Plug connector with wire leads, 18 AWG (1.0 mm<sup>2</sup>) x 8 in. (203 mm) long.

### Operating Temperature:

-40 to 185°F (-40 to +85°C).

### Storage Temperature:

-76 to 185°F (-60 to 85°C).

**Shipping Weight:** 0.5 lb. (226 g).

**Shipping Dimensions:** 8 x 4 x 4-1/2 in. (203 x 102 x 114 mm).

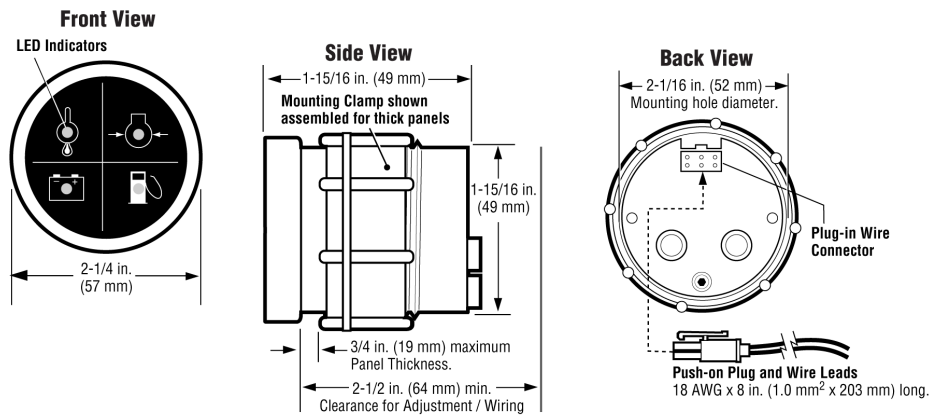
## Basic Models

The following two basic models are offered:

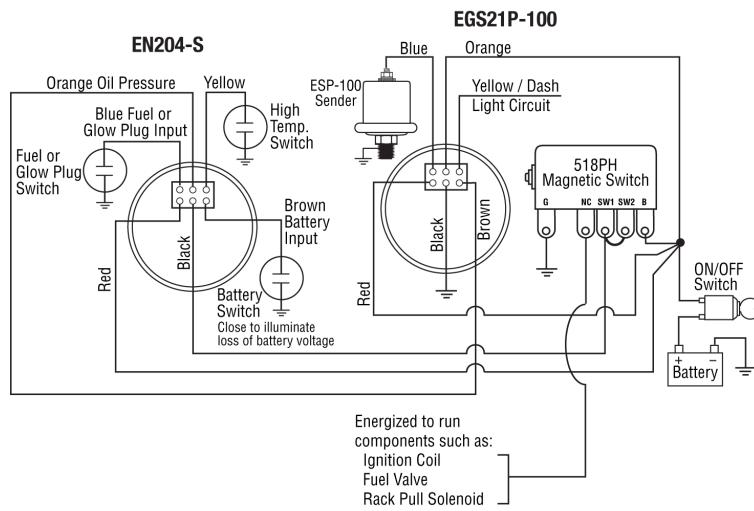
EN204-S-12		EN204-SG-12	
Monitored Functions	Action	Monitored Functions	Action
Oil Pressure	Indicate and Switched	Oil Pressure	Indicate and Switched
Coolant Temperature	Indicate and Switched	Coolant Temperature	Indicate and Switched
Battery Voltage	Indicate	Battery Voltage	Indicate
Fuel Level	Indicate and Switched	Glow Plug Energized	Indicate

The **Switched** functions listed are able to sink a current up to 0.275 amps and may be used to activate the electromechanical control switches or other devices.

## Dimensions



## EN204-S Typical Wiring Diagram



**Note:** Use of the **black wire** on the **EN204-S** and the **518PH Magnetic Switch** (as shown in the diagram) is required for engine shutdown.  
For LED annunciation only, **black wire** is not used.

## How to Order

**EN204-S-12 and switch**

Four-LED Tattletale annunciator including Fuel Level LED indicator.

**EN204-SG-12**

Four-LED Tattletale annunciator including Glow Plug LED indicator.