

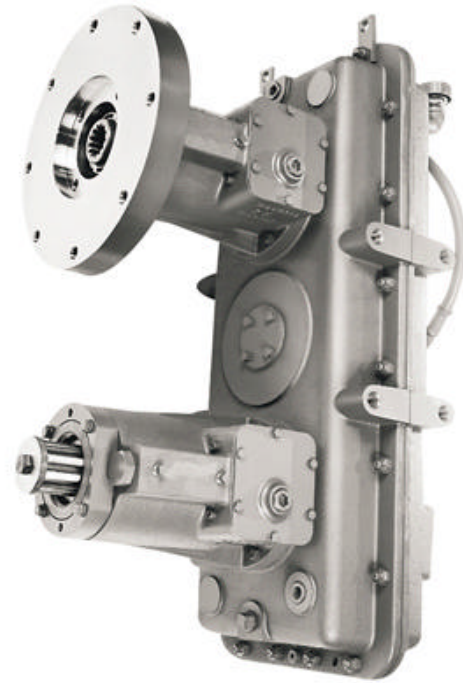
The TR2205 Transfer Case is designed for maximum application flexibility. The T-case is completely symmetrical with four identical Input/output stations. Each station has a 2.75 X 10 spline shaft which can be used as either an input or output.

Each station can also be fitted with an optional disconnect. These disconnects will accept companion flanges or yokes and can be used as axle disconnects or as PTO disconnects. An alternate line of disconnects is offered with integral SAE pump pads.

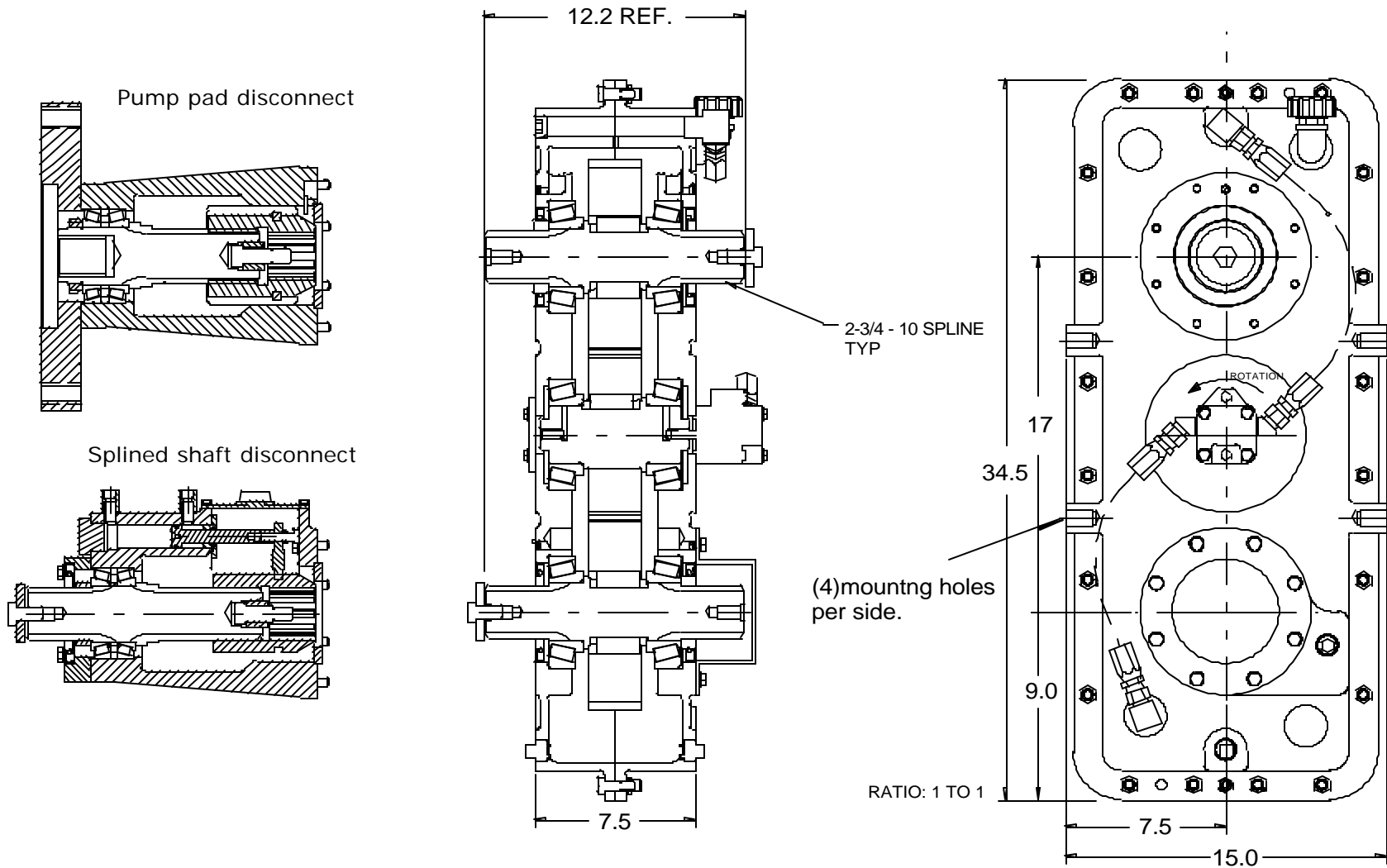
Depending upon disconnect selection, the TR2205 can be configured as a drop box, transfer case, pump drive or PTO.

A lubrication pump for oil circulation is optional and can be installed on either side.

TR2205 Transfer Case



Capacity:	17,000 lb-ft. max input torque
Maximum input speed:	2,800 RPM for short duration
Center distance:	17 inches
Rotation:	Output same as input
Lubrication:	Pump/splash
Ratio:	1:1
Gears	Precision ground helical
Bearings:	Tapered roller
Mounting:	4 holes each side
Weight:	600 lbs.
Disconnects:	2-3/4X10 spline B,C,D,E Pump pads.



TR2205 TRANSFER CASE