

**MODEL GR15A  
REDUCTION GEAR**

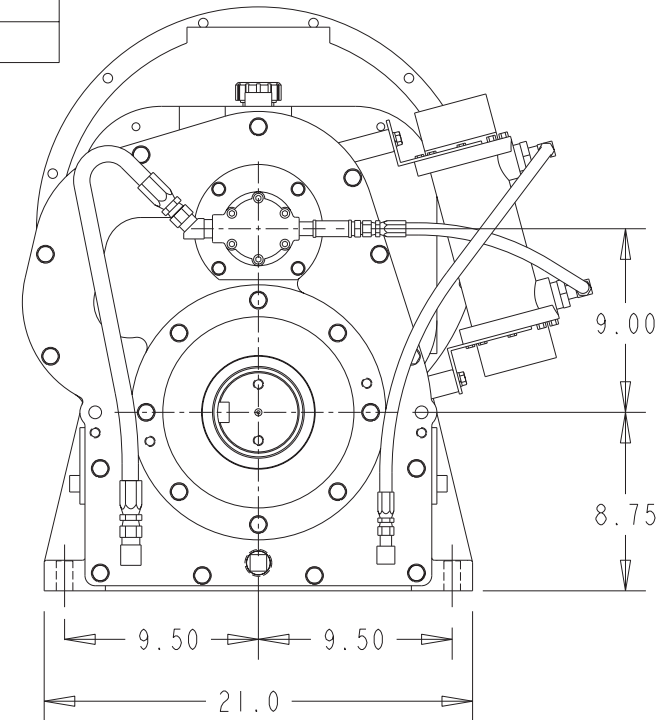
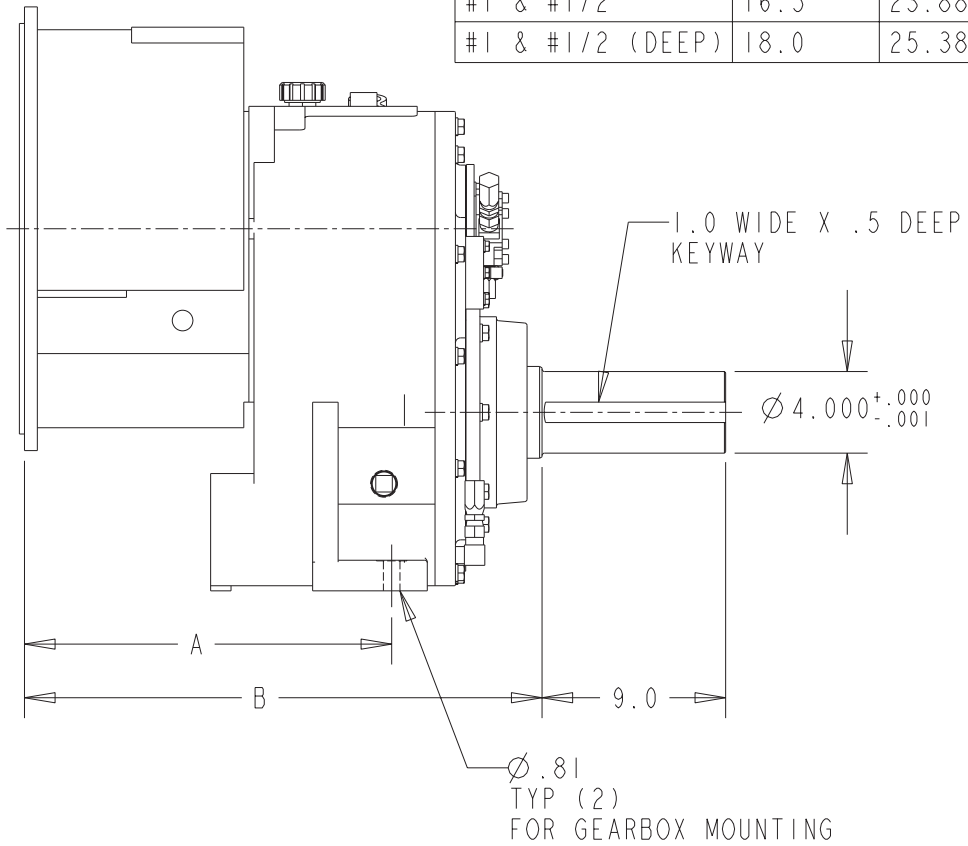
Model GR15A is a heavy duty anti-engine rotation reduction gear. A clutch and bell housing is included for mounting to an engine for a compact package with proper alignment. The gears are helical and carburized for ultimate strength and endurance. Gears are designed per AGMA specifications. The bearings are anti-friction and the case is cast iron. A wide variety of ratios are available.

<b>CAPACITY:</b>	1450 lb. ft.
<b>MAXIMUM INPUT SPEED:</b>	2300 RPM
<b>RATIOS: (ANTI-ENGINE)</b>	1.08, 1.16, 1.26, 1.36, 1.47, 1.60, 1.73, 1.89, 2.05, 2.25, 2.46
<b>BELL HOUSINGS:</b>	SAE #1, #1/2, #0, #00
<b>CLUTCHES:</b>	IBF214, SP314, SP218 14" and 18" rubber block drives and flywheel couplings
<b>OUTPUT SHAFT:</b>	4.000" diameter, 9" long with 1" x 1/2" keyway
<b>REAR SUPPORT:</b>	Two mounting feet provided
<b>LUBRICATION:</b>	Lube pump furnished 25 pints sump capacity
<b>COOLING:</b>	A heat exchanger furnished
<b>WEIGHT:</b>	1180 lbs

07/31/03

# MODEL GR15A REDUCTION GEAR

BELLHSG SAE #	A	B
#0 & #00	19.25	26.63
#0 (DEEP)	21.5	28.88
#1 & #1/2	16.5	23.88
#1 & #1/2 (DEEP)	18.0	25.38



DO NOT USE DIMENSIONS ON THIS DRAWING FOR  
INSTALLATIONS, USE CERTIFIED PRINT PROVIDED  
WITH ORDERS.