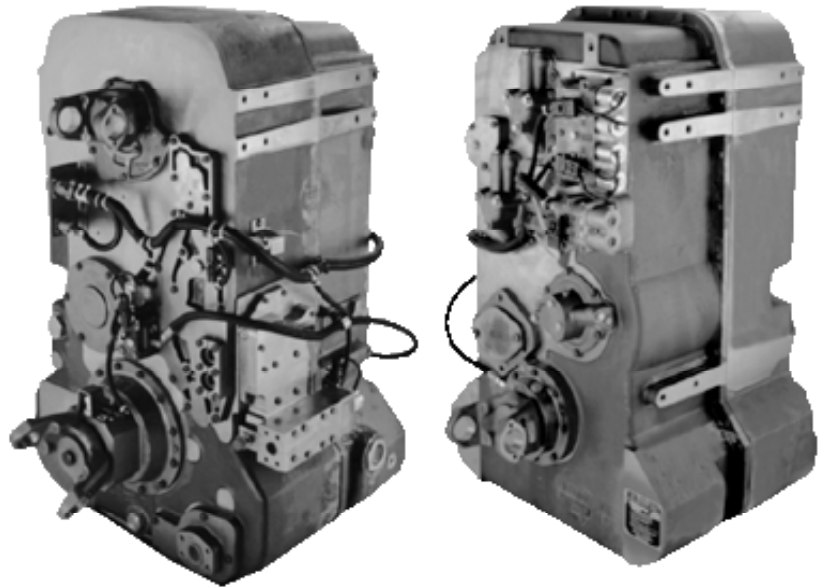


TD61-2619**UP TO 1000 HP (746 KW)**

The 2619 Series transmission system consists of an engine mounted 18.5 inch type 8 torque converter, a 6 speed power-shift transmission and an advanced electronic control system.

**FEATURES & BENEFITS**

- FULL TIME ALL-WHEEL DRIVE WITH SHIFT ON THE FLY DIFFERENTIAL LOCK PROVIDES HIGH PERFORMANCE IN OFF-ROAD CONDITIONS.
- ADVANCED ELECTRONIC CONTROLS PROVIDE EASE OF OPERATION AND MAXIMUM FLEXIBILITY IN TAILORING THE TRANSMISSION SYSTEM PERFORMANCE TO THE SPECIFIC APPLICATION.
- REDUCED DOWNTIME: DURABLE HEAVY-DUTY COMPONENTS COMBINED WITH ELECTRONIC CONTROLS WHICH PREVENT OVERSPEED, SHIFT SHOCKS AND REDUCE THE EFFECTS OF OPERATOR'S ERROR, RESULT IN INCREASED MACHINE AVAILABILITY AND LESS WEAR AND TEAR ON OTHER MACHINE COMPONENTS.

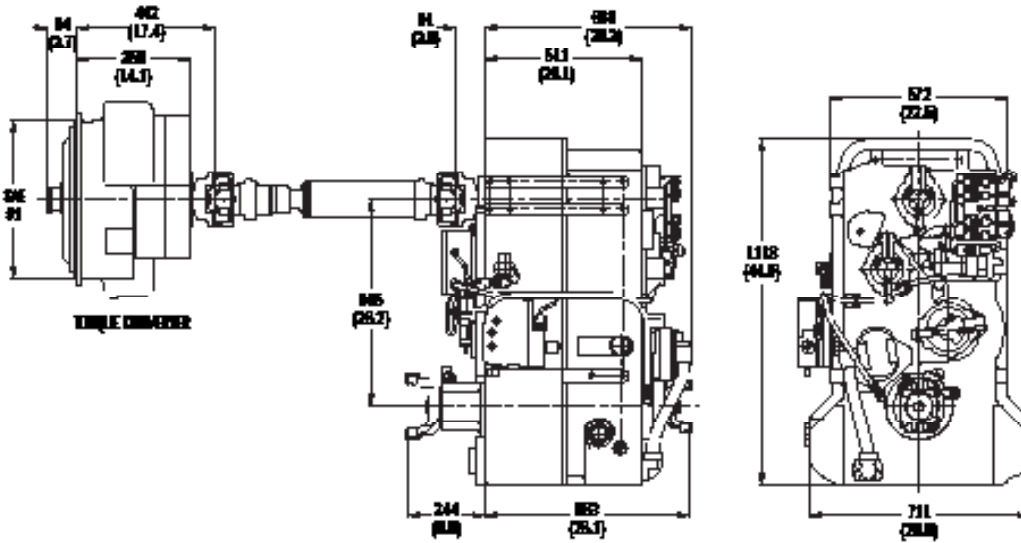
RATIOS

1st	2nd	3rd	4th	5th	6th	Reverse	Overall
5.44	3.48	2.18	1.70	1.08	0.68	4.33	8.00

Specifications subject to change without prior notice in the interest of continual product improvement.
Contact your local Twin Disc representative for engineering specifications.



TD61-2619 Dimensions are in mm (inches)



SPECIFICATIONS

Maximum gross input power - ARFF Vehicle Rating	1000 hp (746 kW) at 2300 RPM
Maximum gross input power - Standard Rating	750 hp (559 kW) at 2100 RPM
Maximum input speed	2300 RPM
Weight	2170 lbs. (984 kg)
Maximum oil temperature at converter outlet	250° F
Sump capacity	14 USG (53 liters)
Cooling required	25% of GHP
Remote mounted	
30-70, 70-30 biasing differentials with differential lock	
Consult Twin Disc regarding availability and specifications for optional hydraulic retarder	

Important Notice: Torsional Vibration

Disregarding system torsional compatibility could cause damage to components in the drive train resulting in loss of mobility. At minimum, system incompatibility could result in gear clatter at low speeds.

The responsibility for ensuring that the torsional compatibility of the system is satisfactory rests with the assembler of the drive and driven equipment.

Torsional vibration analysis can be made by the engine builder, marine survey societies, independent consultants and others. Twin Disc is prepared to assist in finding solutions to potential torsional problems that relate to the transmission.

Twin Disc, Incorporated reminds users of these products that their safe operation depends on use in compliance with engineering information provided in our catalog. Users are also reminded that safe operation depends on proper installation, operation and routine maintenance and inspection under prevailing conditions. It is the responsibility of users (and not Twin Disc, Incorporated) to provide and install guards or safety devices which may be required by recognized safety standards or by the Occupational Safety and Health Act of 1970 and its subsequent provisions.

United States of America • Australia • Belgium • France • Italy • Singapore • Switzerland

For nearly a century, we've been putting horsepower to work by designing, engineering and manufacturing rugged-duty industrial products. Our products and our reputation are bolted to the most renowned engine manufacturers and equipment OEMs in the world. Our mission is to make your machines and vehicles more productive, more durable, more operator-friendly, more cost-effective. From design and installation consultation through after-sale support, Twin Disc and its distributors are committed to your business. No one knows more about managing horsepower in more ways than Twin Disc.

**TRANSMISSIONS • CLUTCHES • PTOS
PUMP DRIVES • TORQUE CONVERTERS
GEARBOXES • HYDRAULIC PTO PRODUCTS**



**Twin Disc, Incorporated
Racine, Wisconsin 53403 USA
Phone +1-262-638-4000
Fax +1-262-638-4482
www.twindisc.com**

TD-Bulletin-TD61-2619
© 2008, Twin Disc, Incorporated
Printed in the USA - 06/2008