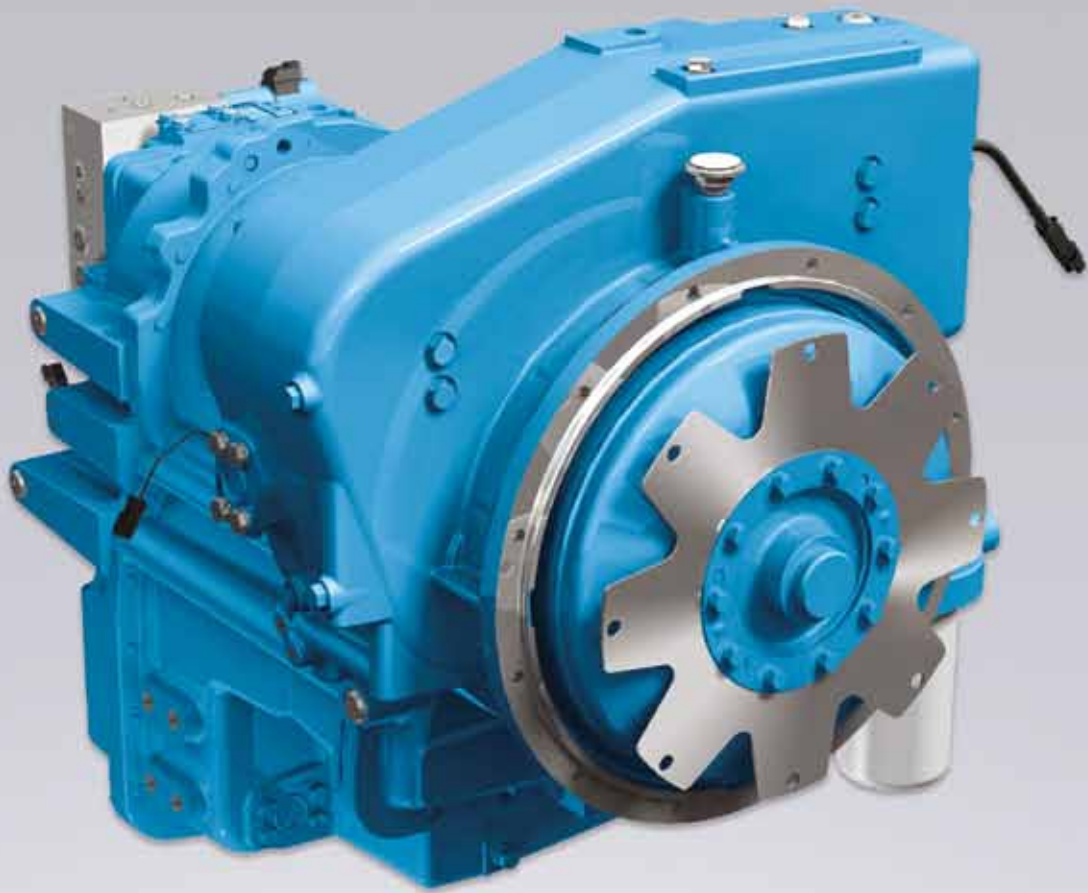


Spicer® TE17 Series Powershift Transmission

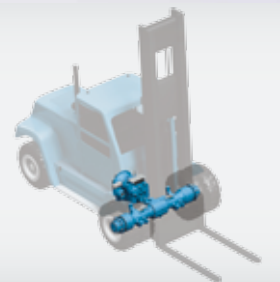
165 to 215 kW (220 to 266 hp)



SPICER®
Off-Highway Systems



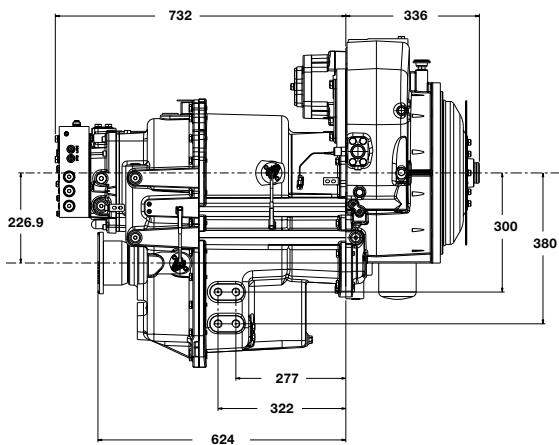
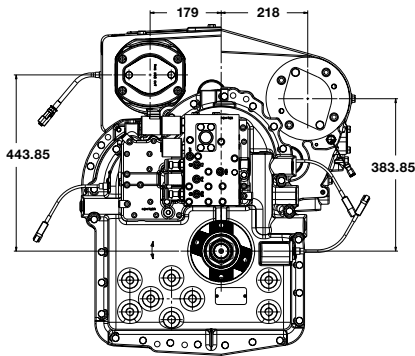
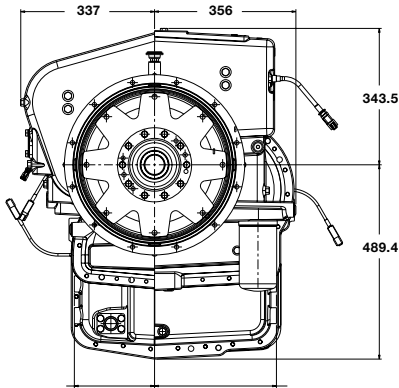
Incorporating the latest in industry-leading manufacturing, this reliable three-speed full powershift transmission offers high productivity and smooth operation for material-handling applications.



Spicer® TE17 Series Powershift Transmission

165 to 215 kW (220 to 266 hp)

The Spicer® TE17 Series powershift transmission is engineered specifically to meet the needs for improved productivity and reliability in the material-handling market. The innovative three-speed full powershift transmission incorporates the latest in manufacturing and the next generation electronic control systems, resulting in the smoothest operation in the market.



General Rating

Input Power kW (hp)	165 to 215 (220 to 266)
Input Maximum (RPM)	2650
Turbine Stall Nm (ft-lb)	1750 (1290)
Total Assembled Weight with SAE 3 Bell Housing Kg (lb)	560 (1234.59)

Converter

Housing	SAE No. 3
Stall Torque Ratio Options	2.129
Torque Converter Diameter mm (in)	340 (13)
Mounting	Integral engine mount, midship mount, remote mount

Auxiliary Pump Drive

Pump Drive Ratio	0.910:1
Torque Capacity Nm (ft-lb)	Max 1200 (885)
Pad Type	SAE "A", "B", or "C"
Pump Mounting	2- or 4-Bolt

Flanges

Mechanics	8.5C
GWB	XS155, XS180

Ratios (Standard)

Short Drop	1 st Gear	2 nd Gear	3 rd Gear
3x3 (TE17310)	4.02	1.92	0.91
3x3 (TE17311)	4.36	2.28	1.08
3x3 (TE17312)	3.86	1.85	0.74
3x3 (TE17313)	4.76	2.28	0.91

Dimensions – Oil Capacity

Output Drop Vertical mm (in)	226.8 (8.9)
Oil Capacity L (gal)/Type	16.5 (4.3)
Oil Filter	Spin-on

Features and Benefits

- Short drop only
- CAN-BUS interface capability
- Dual auxiliary pump drives
- Electronically controlled modulation
- Engine mount
- Flex plate drive
- Helical gearing
- Compact design
- Simplified vehicle control

Options

- Automatic shifting
- Electronically controlled inching

Sales Office – Italy
Zona Industriale
Arco, Italy 38062

www.dana.com/offhighway



SPICER®

Off-Highway Systems

Application Policy

Capacity ratings, features, and specifications vary depending upon the model and type of service. Application approvals must be obtained from Dana; contact your representative for application approval. We reserve the right to change or modify our product specifications, configurations, or dimensions at any time without notice.