

# Spicer® T12000 Series Powershift Transmission

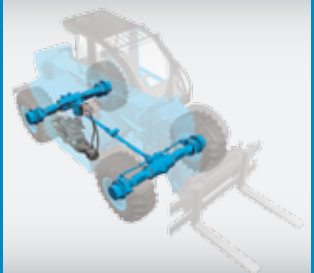
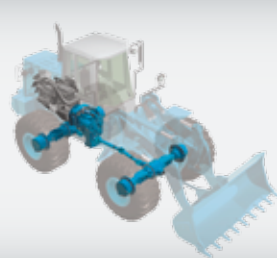
37 to 82 kW (50 to 110 HP)



**SPICER®**  
*Off-Highway Systems*



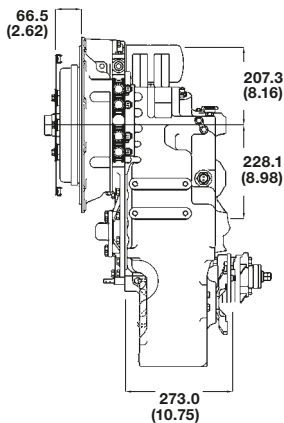
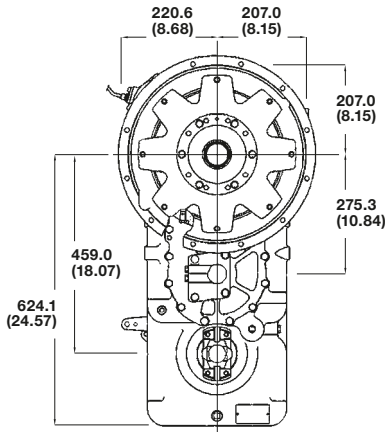
A robust and reliable performer for a multitude of versatile applications ranging from loaders to handlers to rough terrain vehicles and more.



# Spicer® T12000 Series Powershift Transmission

37 to 82 kW (50 to 110 HP)

The Spicer® T12000 Series powershift transmission is designed for versatile equipment that requires the power and performance of a rugged powershift transmission. It is ideal for applications such as backhoes, trenchers, small loaders, small graders, telescopic boom handlers, and rough terrain lift trucks. With an extensive range of flexible options, the Spicer T12000 is a powerful and efficient industry leader.



Converter	
Housing	SAE No. 3
Stall Torque Ratio Options	2.78, 2.27, 2.00, 1.84
Torque Converter Diameter mm (in)	280 (11)
Mounting	Integral engine mount, midmount

Auxiliary Pump Drive	
Pump Drive Ratio	0.971:1
Torque Capacity Nm (ft-lb)	245 (180)
Pad Type	SAE "B" or "C"
Pump Mounting	2- or 4-bolt

Flanges	
Spicer	1410
Mechanics	5C
GWB	387/20

Ratios (Standard)							
Short Drop	1 <sup>st</sup> Gear	2 <sup>nd</sup> Gear	3 <sup>rd</sup> Gear	4 <sup>th</sup> Gear	5 <sup>th</sup> Gear	6 <sup>th</sup> Gear	
3x3	5.02	2.56	1.00				
4x3	4.02	2.05	1.00	(0.66)	—	—	
6x3	5.58	(3.69)	2.56	(1.69)	1.00	(0.66)	
Intermediate Drop							
3x3	4.37	2.22	0.87	—	—	—	
4x3	4.02	2.05	1.00	(0.66)	—	—	
6x3	4.86	(3.21)	2.22	(1.47)	0.87	(0.57)	
Long Drop							
3x3	3.67	1.87	0.75	—	—	—	
4x3	5.07	2.58	1.29	(0.73)	—	—	
6x3	5.65	(3.73)	2.58	(1.71)	1.04	(0.69)	

General Rating	
Input Power kW (hp)	37 to 82 (50 to 110)
Input Maximum (RPM)	3300
Turbine Stall Nm (ft-lb)	600 (440)
Total Assembled Weight with SAE 3 Bell Housing Kg (lb)	Intermediate Drop: 175 (385)

Dimensions – Oil Capacity	
Output Drop Vertical mm (in)	Short Drop: 138 (5.42) Intermediate Drop: 321 (12.63) Long Drop: 459 (18.07)
Oil Capacity L (gal)	Short Drop: 16.7 (4.4) Intermediate Drop: 12.9 (3.4) Long Drop: 14 (3.7)

## Features and Benefits

- 3-, 4-, and 6-speed full powershift transmissions
- Short, intermediate, and long drops
- Variable (lateral) drop transmission (VDT)
- 11-inch converter wheels
- Available in a wide range of ratios
- Engine and midship mountings
- Integral converter transmission unit

## Options

- Automatic shifting
- Converter freewheel
- Disc parking brakes
- Electric declutch
- Inching
- Integral or remote filter
- Variable drop transmission (VDT)

## Sales Office – Italy

Zona Industriale  
Arco, Italy 38062

[www.dana.com/offhighway](http://www.dana.com/offhighway)



**SPICER®**

Off-Highway Systems

## Application Policy

Capacity ratings, features, and specifications vary depending upon the model and type of service. Application approvals must be obtained from Dana; contact your representative for application approval. We reserve the right to change or modify our product specifications, configurations, or dimensions at any time without notice.