

At a glance

8 channels for Configurable switch inputs

2 channels configurable for magnetic pickup input

Wire break alarm included

Local alarm channel status via LED

Local fault display for each sensor via LED

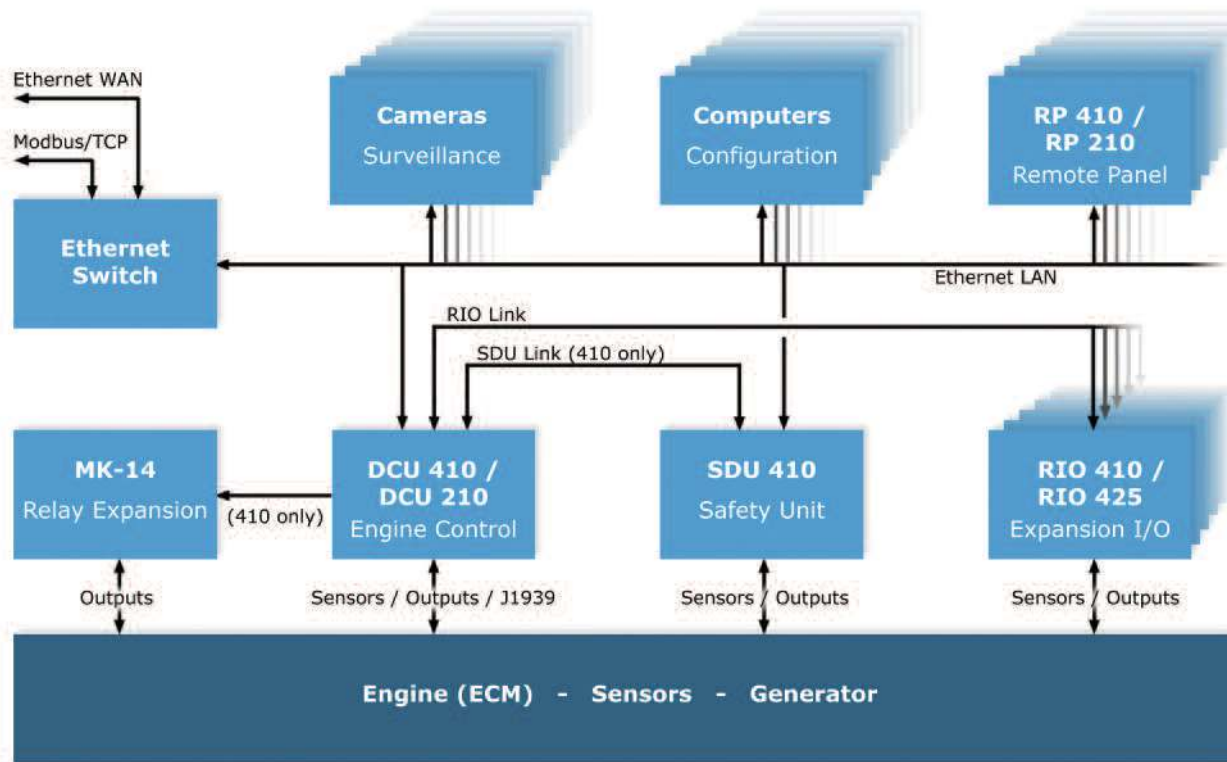
USB port

Ethernet port

Provision for single 24v power supply

Why customers select the SDU 410

- Provides flexibility to integrate differing applications into a standard package
- Connects to DCU via simple two wire twisted pair
- Can be placed close to sensors to reduce complex wiring runs
- “Plug and Play” when linked to a DCU
- Class Approved Independent shutdown unit
- Hard wired safety switches to protect engine in case of CPU failure
- No on site configuring required
- No dedicated software or cables required
- Simple installation and commissioning
- Stand alone capability provides flexibility in and outside of MarinePro installations



Features and Benefits

Compliant and Certified to Class

- Wire break alarm standard
- Pre configured for Diesel Engine protection
- Short circuit protection included
- Approved by 8 IACS member Classification societies

Self Configuring from DCU

- Easy installation with two wire connectivity
- Easy commissioning by non IT experts
- Configuration approved by Class

Ease of Fitment

- DIN rail mounted
- Clear printed connection diagram
- No special tools required
- Only software required is a web browser

Functionality & Connectivity

- Appropriate switch channels pre defined
- Ethernet / Modbus connectivity
- Local LED's for troubleshooting channels
- Independant stand alone unit

Technical and Production

Auto-Maskin AS
 Sophie Radichs vei 7
 NO-2003 Lillestrøm, Norway
 Tel.: +47 64 84 52 00
 Fax: +47 64 84 52 12
 E-mail: office@auto-maskin.com
 Web: www.auto-maskin.com

Ordering Info

Item	Part Number
DCU 410	1006450
DCU 408	1006455
SDU 410	1006451
RIO 410	1006453
RIO 425	1006457
RP 410	1006452
MK-14	1121252