

# Marine Watch

## Alarm Management

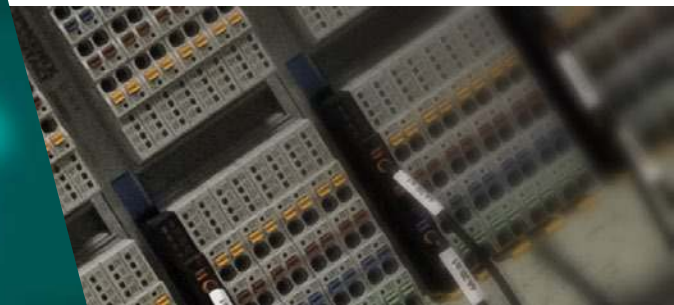


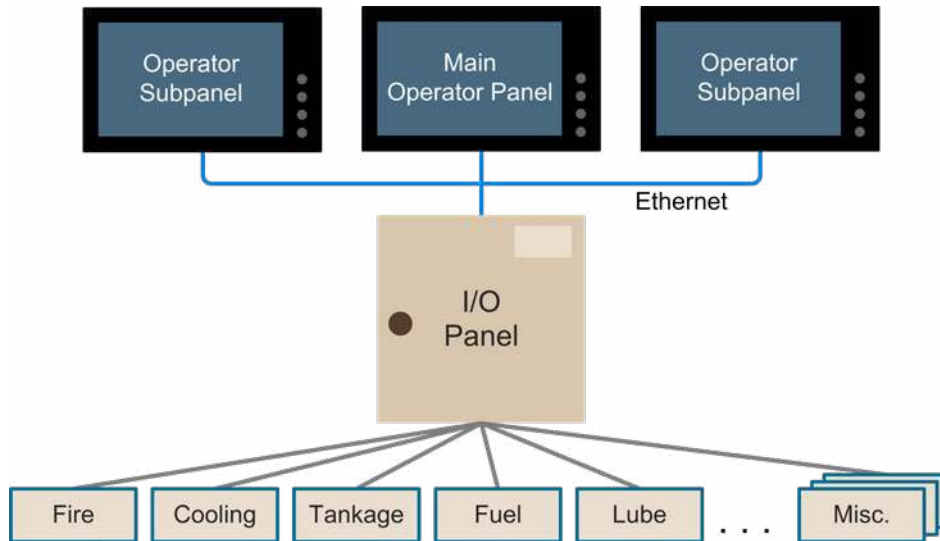
### At a glance

- Full vessel alarm system
- IACS compliant
- Multi panel support
- Improved vessel safety
- 12" touch screen with swipe support
- Edge-to-edge glass front
- System redundancy

### Why customers select Marine Watch

- Simple and cost-effective installation with low technical risk
- Clear accurate data provides safe decision making by crew
- No special programming for vessel customization
- Pre-programmed interface to I/O panels
- Integrates with Marine Pro





## Features and Benefits



Same hardware  
for many  
applications

Common equipment  
across applications  
and vessel types

Reduced crew  
training

Increased operational  
efficiency

Reduced costs due to  
commonality in  
supply chain



Efficiency

Visually group  
alarms on the screen

Timed disabling of  
specific alarms

Lower component  
count than discrete  
alarm systems

Shorter cable runs  
from sensor to signal  
processing



No specialist  
skills required

Lower installed cost

No specialist support  
required

Intuitive operation

Uses standard tools  
for installation



Accountability

Every event recorded

Downloadable, time  
stamped event list

Each channel status  
tracked

Operator actions  
recorded

### Sales

Phone: (+47) 64 84 52 00  
E-mail: sales@auto-maskin.com

### Sales North and South America

Phone: (+1) 832 738 1024  
E-mail: sales.us@auto-maskin.com

## Ordering info

Item	Part number
Marine Watch Operator Panel MWP 12"	1500021
60 Switch	4100011
120 Switch	4100012
60 Switch + MWP 12" door mounted	4100013
120 Switch + MWP 12" door mounted	4100014