

DCU 408E Engine Controller



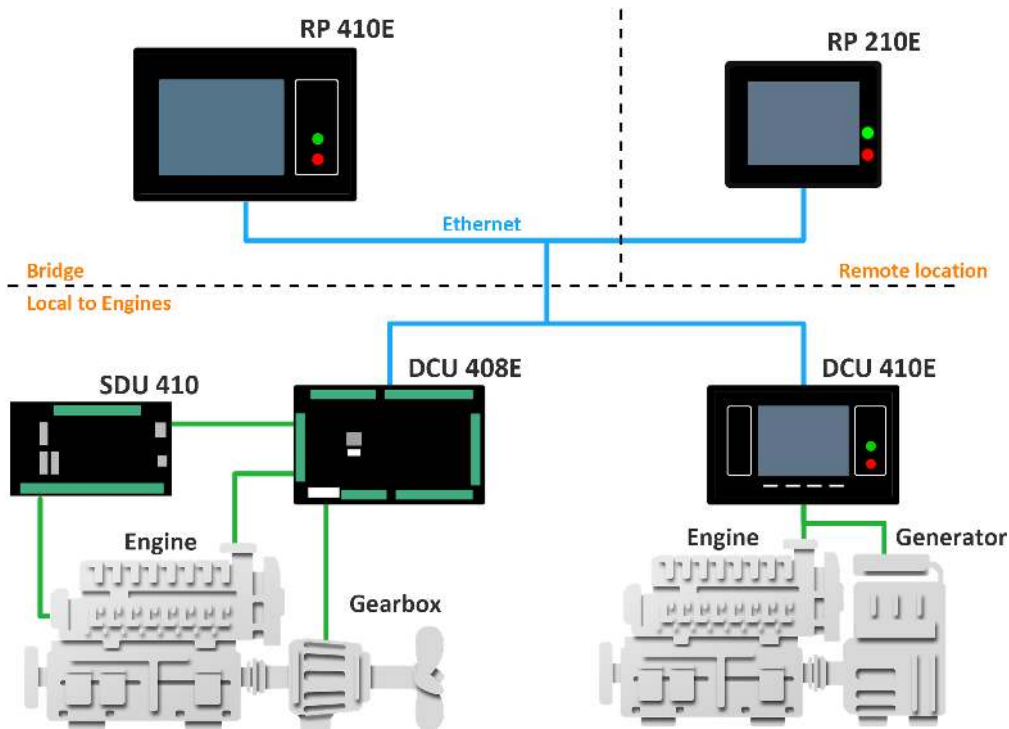
At a glance

- DIN rail or plate mountable
- Powerful dual core CPU provides lightning response
- 8 configurable switch inputs
- 4 configurable 4-20 mA inputs
- 4 configurable PT100 inputs
- 2 configurable 0-5 V inputs
- Configurable outputs and relays activated by events
- Automatic power switching over 2 independent power supply input lines
- Ethernet and Modbus communication

Why customers select the DCU 408E

- “Plug and Play” connectivity to multiple remote panels
- Low cost option when no local display required
- Accepts multiple sensor standards and twin J1939 networks
- IACS Class Approved
- Intuitively configurable using the built-in web server
- No special software, cables or tools required





Example of use in system of medium complexity

Same hardware
for many
applications

Can hold up to 50 customer-selectable configuration files

Suitable for fixed and variable speed uses

Multiple standard I/O's and outputs

No specialist
skills required

No special tools

No special software, just an internet browser

Preloaded configurations

Connects to Marine Pro selfconfiguring remote panels

Connect
easily to
other ship
systems

Ethernet connected means literally "Plug & Play"

Simple two-wire Modbus connectivity when needed

Expandable to include other vessel parameters

Accountability

Secure historical event and alarm list

Can link to third party Ship Management and remote telemetry systems

Sales Scandinavia

Phone: (+47) 64 84 52 00
E-mail: sales@auto-maskin.com

Sales Europe, Asia, Africa, Australia

Phone: (+44) 1933 234 930
E-mail: sales.uk@auto-maskin.com

Sales North and South America

Phone: (+1) 832 738 1024
Skype: (+1) 281 724 8630
E-mail: sales.us@auto-maskin.com

Ordering info

Item	Part number
DCU 408E Engine Controller	1006510
DCU 410E Engine Controller	1006445
SDU 410 Safety Shutdown Unit	1006451
RP 410E Remote Panel	1006446
RP 210E Remote Panel	1006476