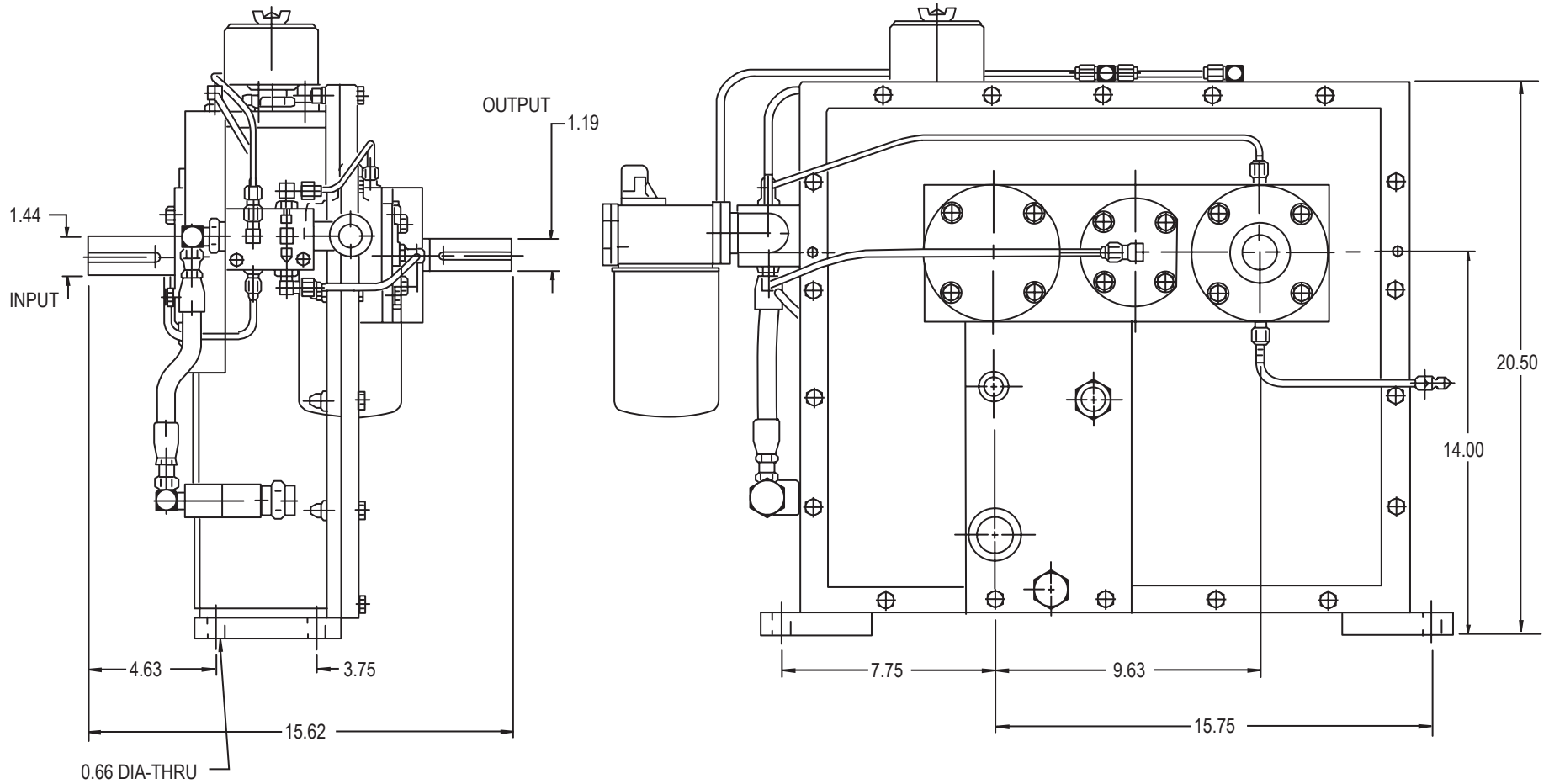


Product Description:

Model SN2102 is a two stage increasing, single output, foot mounted high speed gearbox designed for test stand use.

POWER:	Up to 300 HP
OUTPUT SPEED:	30,000 RPM max
RATIOS:	Up to 16.67 overspeed. Contact Cotta for other available ratios.
MAX ACCEL / DECEL RATE:	2000 RPM / sec at output
INPUT CONFIGURATION:	Keyed stub shaft is standard. Contact Cotta for optional inputs.
OUTPUT CONFIGURATION:	Customer designed shaft is typical. Various other shafting and mounting pads available.
ROTATION:	Input can be driven ccw or cw. Output rotates in the same direction as input.
LUBRICATION:	Positive delivery. Pump, heat exchanger, and necessary temp and pressure controls are furnished.
OPTIONS:	Accelerometers, speed pickup, and other application specific items can be accommodated or supplied.
APPROXIMATE WEIGHT:	425 lbs.
STANDARD FINISH:	2-part polyurethane enamel

This drawing shows general arrangement and approximate space claim. Do not design or lay out using this drawing. Use only certified drawings provided by Cotta Engineering.



SN2102 DRW.