

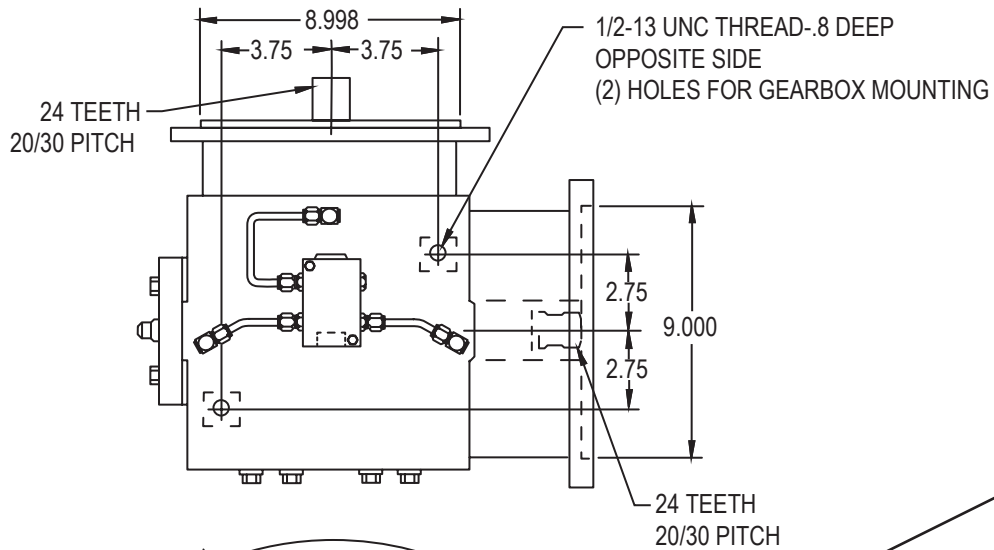
Product Description:

Model SN1645 is a right-angle add-on high speed gearbox designed to permit attitude testing of constant speed drives and generators. This model can be installed on existing test stands. The output shaft can be positioned in 7-1/2 degree increments from 112 degrees above, to 135 degrees below the horizontal. This angular range is from 11 o'clock through 7:30 o'clock when looking at the output of the test stand.

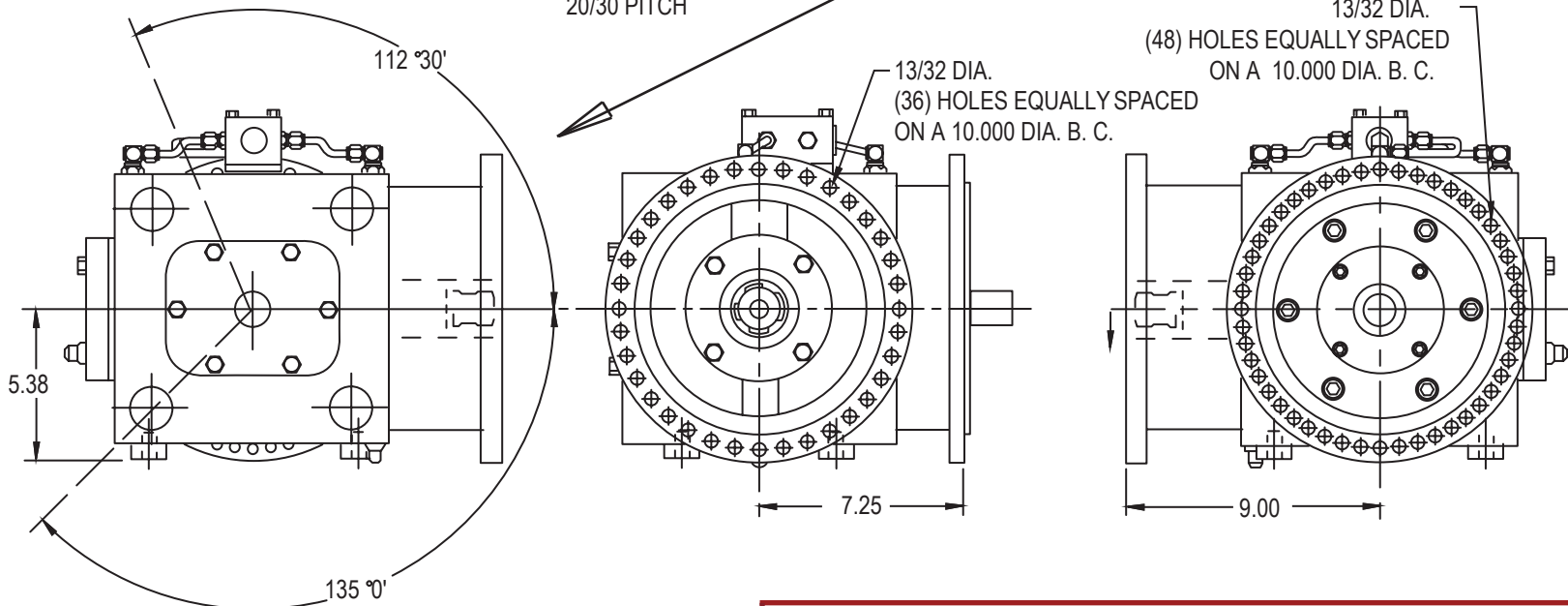
POWER:	300 HP max power
OUTPUT SPEED:	20,000 RPM
RATIOS:	2.0 overspeed. Contact Cotta for others
MAX ACCEL / DECEL RATE:	1000 rpm/sec at output
INPUT CONFIGURATION:	AND 10267 compatible except with 48 mounting holes versus 12 holes
OUTPUT CONFIGURATION:	AND 20007 compatible except with 36 holes versus 12 holes
ROTATION:	Input can be driven cw or ccw. Output rotates opposite to input.
LUBRICATION:	Separate lube system required and is supplied by Cotta.
OPTIONS:	Accelerometers, speed pickup, and other application specific items can be accommodated or supplied.
APPROXIMATE WEIGHT:	750 lbs. approximate including lube components.
STANDARD FINISH:	2-part polyurethane enamel



This drawing shows general arrangement and approximate space claim. Do not design or lay out using this drawing. Use only certified drawings provided by Cotta Engineering.



GEARBOX TO OPERATE WITH
OUTPUT CENTER LINE AT
ANGLE RANGE SHOWN
AT 7 °30' INCREMENTS



SN1645 DRW.